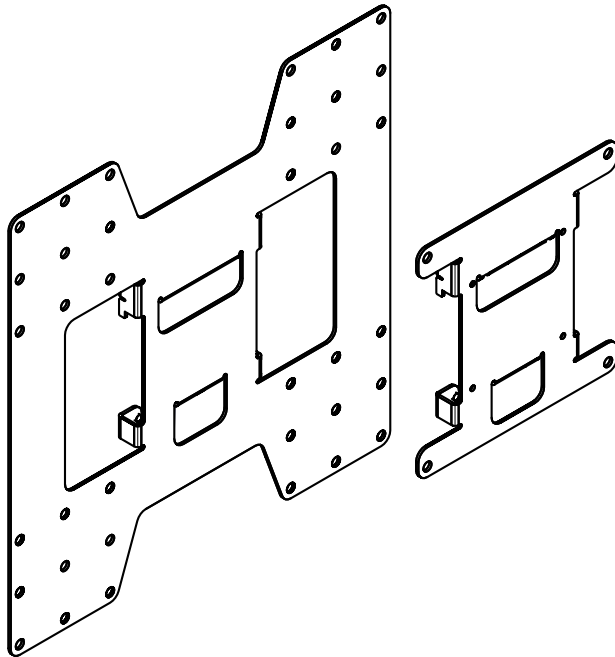


Installation Guide

SPDS2121 + SPDS 2122

Hook and rail VESA brackets (non-tilt)





CAUTION

This product must be installed by a professional installer. It is recommended that more than one person is involved in the installation of this product.

Do not exceed the stated weight limits.

The maximum weight limit for this product is 150 kg per ceiling pole.

This product is intended for indoor use only.

If these installation instructions are not followed precisely, it could lead to product failure and potential personal injury.

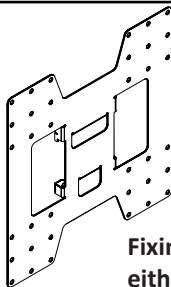
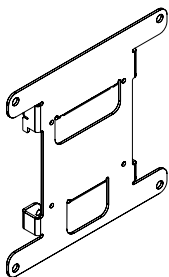
Ergonomic Solutions cannot be held responsible for any failure or injury, if the installation instructions are not followed correctly.

Box content



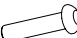



SPDS2121
VEESA 200 non-tilt

or

SPDS2122
VEESA 200/300/400 non-tilt

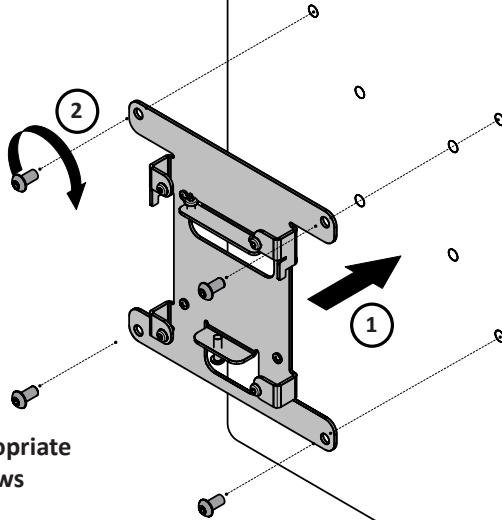


Fixings included in either config

-  **x4 M8 x 12mm screw**
-  **x4 M8 x 25mm screw**
-  **x4 M8 x 35mm screw**
-  **x4 M8 x 16mm screw**
-  **x4 M8 x 5mm spacer**
-  **x4 M8 washer**

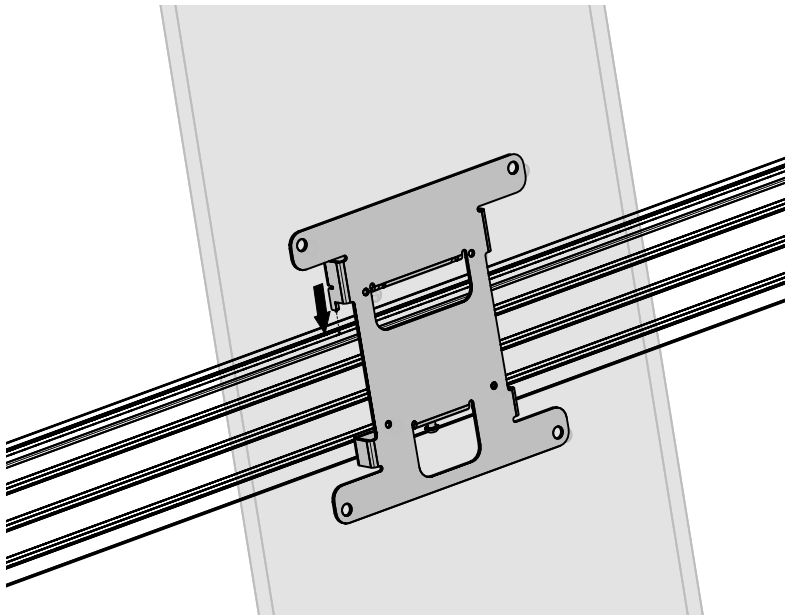
A1 B1 Mount on screen

Step A2-A4: Rail mount
Step B2: Pole mount

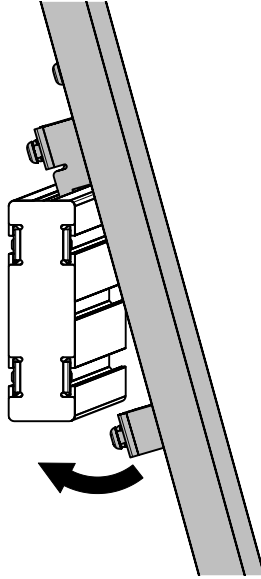


Choose the appropriate
length VESA screws

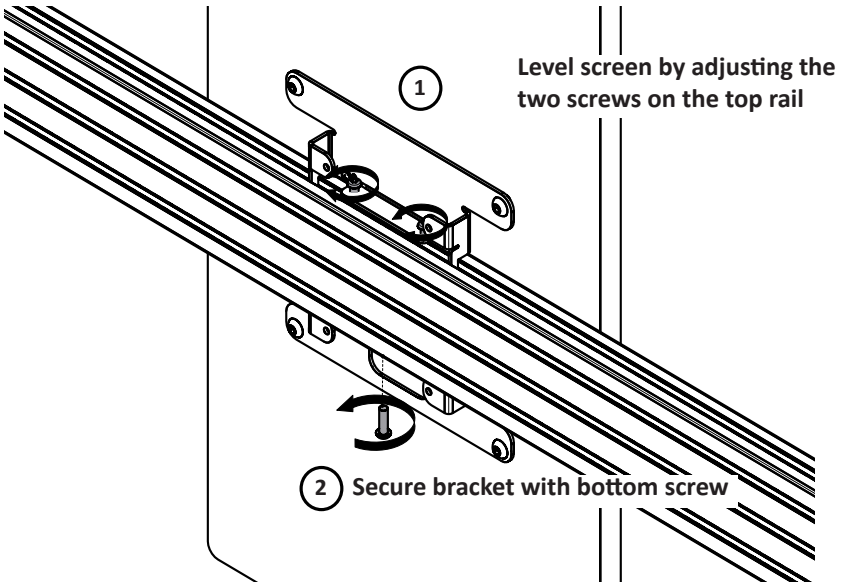
A2 Place on rail



A3 – Fix on to rail



A4 – Level screen and secure with screw



B2 Mount VESA adapter and screen on to the ceiling pole

